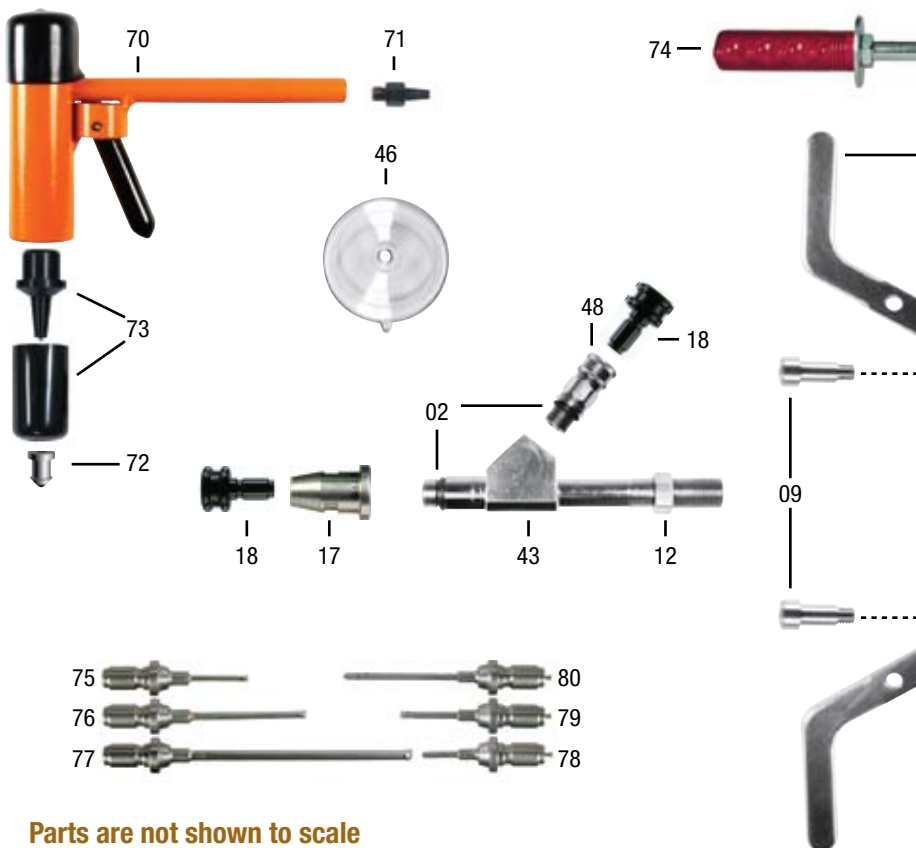


Parts Chart for the Wedgle® Direct-Inject™ Tree Injection



Parts are not shown to scale

#	Part #	Description
02	PASW202	QC Coupler Outer O-Ring
	PASW203	QC Coupler Inner O-Ring (not shown)
09	PASW209	Screw Lever Pivot
10	PASWT002	Multi-purpose Tool
11	PASWT003	Garden Hose Adapter
12	PASW12	Lock Nut
13	PASW13	Piston O-Ring
17	PASW217	Front QC Coupler
18	PASW218	Dust Plugs
23	PASW23	Piston Spring
25	PASW25	Dose Adjustment Ring
26	PASW226	Piston Connector Rod
28	PASW28	Lever Nut
41*	PASW241	Handle and Lever Assembly

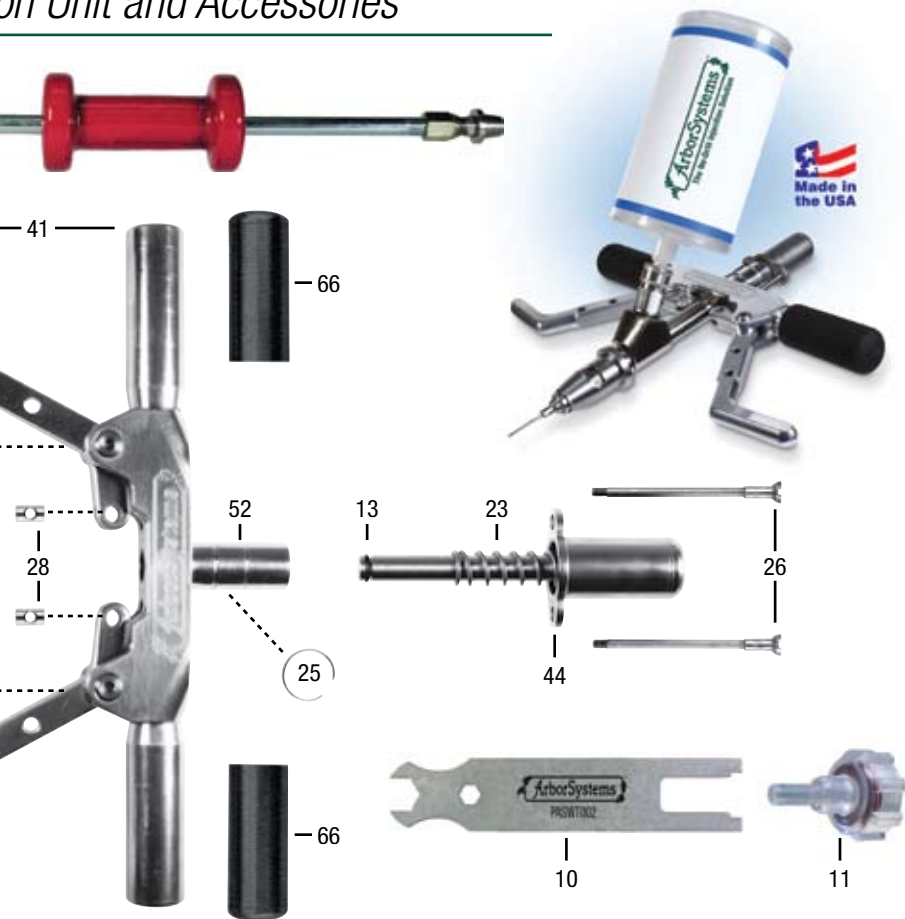
*Not sold separately.

#	Part #
43	PASW243
44	PASW244
46	PASW246
48	PASW248
52	
66	PASW66
70	PAWP70
71	PAWP71
72*	
73	PAWP73
74	PAWP271



The No-Drill Injection Solution

on Unit and Accessories



Description

Main Body
 Piston and Cap Piece
 Deflector Shield
 Top QC Coupler
 .5 ml Dose Adjustment Groove
 Rear Hand Grips
 WedgeChek Punch complete
 (includes 70, 71, 73)
 WedgeChek Punch Tip
 WedgeChek™
 WedgeChek Adapter,
 Rubber Sleeve
 Tip Setter

Part # Description

75	Wedge.75	.75" Wedgle Tip
76	Wedge1.5	1.5" Wedgle Tip
77	Palm3	3" Palm Tip
78	Portle.5	.5" Portle Tip
79	Portle.75	.75" Portle Tip
80	Portle1.5	1.5" Portle Tip
	PASWK201	Annual Maintenance Kit (1) Piston O-Ring-#13 (2) QC Coupler Outer O-Rings-#02 (2) QC Coupler Inner O-Rings-#03 (1) WedgeChek Punch Tip-#71
	PASWK202	Small Parts Kit (1) Dose Adjustment Ring-#25 (1) Piston Connector Rod-#26 (1) Screw Lever Pivot-#09 (1) Lever Nut-#28