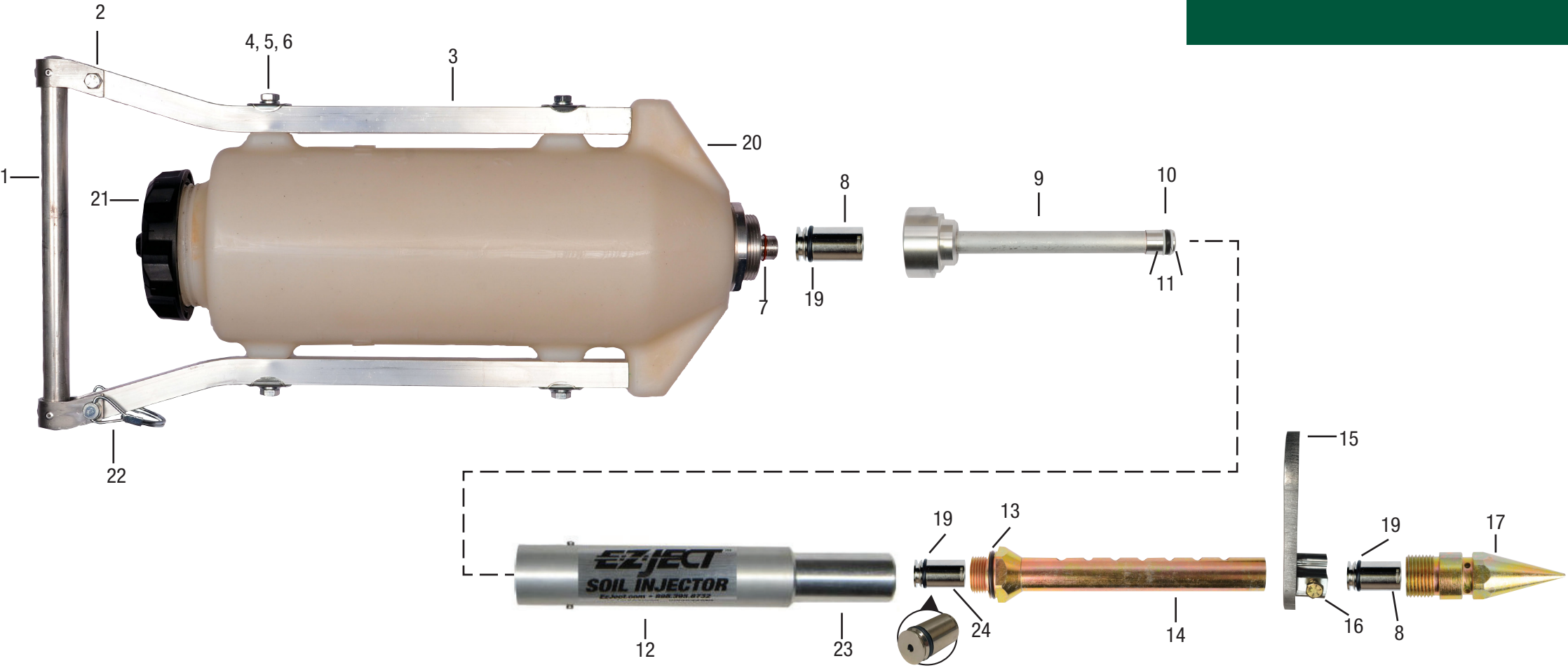


**EZ-Ject™ Soil Injector Parts Chart**



Ref	Part No.	Description
1	S201	Handle - Pivot
2	S202	Handle - Pivot Screw and Nut
3	S203	Handle - Side (2 per injector)
4	S204	Handle - Side Bolt (4 per injector)
5	S205	Handle - Side Lock Washer (4 per injector)
6	S206	Handle - Side Formed Washer (4 per injector)
7	S107	Coupler O-Ring
8	S108	Check Valve (2 per injector)
9	S109	Piston (Includes 1-#10, 2-#11)
10	S110	Piston O-Ring

Ref	Part No.	Description
11	S111	Piston Backer Ring (2 per injector)
12	S112	Sleeve
23	†	Piston Cylinder
13	S113	Probe O-Ring
14	S114	Probe (Includes #13)
15	S215	Foot Plate (Includes #16)
16	S116	Foot Plate Screw
17	S117	Tip
18	S118	Coupler Spacer
19	S119	Check Valve O-Ring

Ref	Part No.	Description
20	S521	Tank Complete
21	S501	Tank Cap
22	S103	Hitch Pin
*	SK01	Seal Kit (Includes: #7, #10, 2-#11, #13, 3-#19)
24	S120	Check Valve (Small Hole) (Includes #19)

\* Not Shown † Not Available Separately